



## Plug-lid cans



If anyone CAN - we CAN!

# Plug-lid cans

Plug-lid cans are particularly suitable for pasty, chemical technical products such as fillers, putties, lubricants, cleaning agents and polishes. The ringless design enables very good residual emptying. If required, the lid can be additionally secured with clips, a clamping ring or an L-ring.


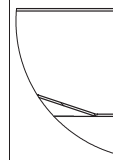
The product features of plug-lid cans „made by Pirlo“ at a glance:

- Excellent residual emptying
- Also available varnished inside
- Matching PP cap available in various heights
- Customised printing and embossing (lid) possible

**Please note the following:** the plug-lid cans are not certified for hazardous goods.

If you have any questions about Plug-lid cans our experts will be happy to help. Special can sizes are possible on request.



Standard sizes					
Nominal capacity	Dimension	Quantity	Standard	Sipra circlip	MOQ (print)
in ml	D / H in mm	per pallet			
150	73/52	3.078	●		10.000
150	73/55	2.970	●		10.000
350	99/63	1.320	●		7.500
350	99/63	1.456	●■		7.500
500	99/82	1.092	●■		7.500
600	99/100	880	●		5.000
600	116/75	819	●		15.000
750	99/119	714	●		5.000
900	99/144	616	●		5.000
900	99/146	637	●■		5.000
900	126/75	600	●		5.000
1.000	99/159	504	○	●	5.000
1.200	153/84	432	●■		10.000
1.250	116/125	504	●		5.000
1.300	116/130	441	○		5.000
1.800	116/180	378	○		5.000

Diameter [mm]	Minimum height [mm]	Maximum height [mm]
73	60	280
99	60	280
116	65	280
153	62	230

- Legend**
- = Standard (samples available)
  - = Standard RID/ADR hazardous goods certificates
  - = Special sizes, samples and minimum quantities on request
  - (grey) = Stock items (grey) also in smaller quantities available



**Österreichische Blechwarenfabrik**

**Pirlo GmbH & Co KG**

Hugo-Petters-Straße 8-14, 6330 Kufstein/Austria  
 fon +43 5372 649 23  
 office@pirlo.com pirlo.com

**Pirlo Industrial GmbH & Co OG**

Industriezeile 8, 2100 Korneuburg/Austria  
 fon +43 2262 727 12  
 office.industrial@pirlo.com pirlo.com

**Pirlo Poland Sp. z o.o.**

Działki Suskowolskie 78, 26-670 Pionki/Poland  
 fon +48 48 312 17 48  
 office.poland@pirlo.com pirlo.com

